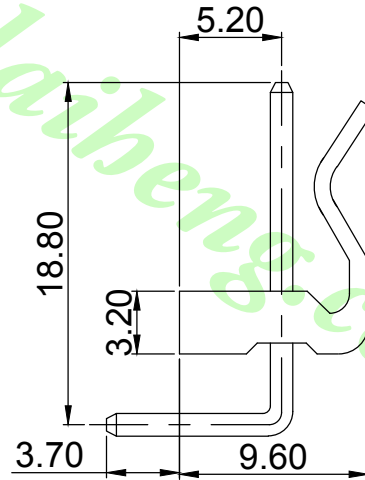
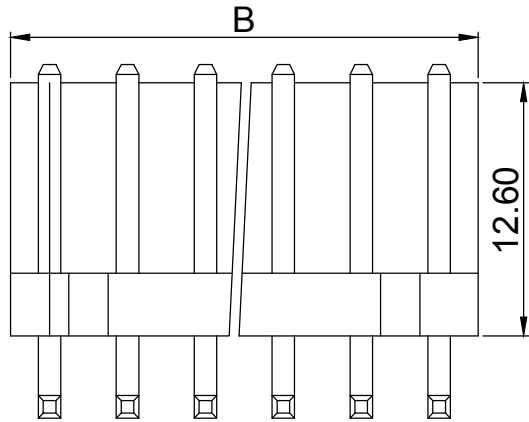


RECOMMENDED P.C.BOARD HOLE DIMM.



PART NO.:
LW-MX 396 R - XX

No.Of Contact:02~20
 Angle Type:Right Angle(90°)
 Pitch:3.96mm
 Wafer Series No.

註
 2P-10P公差值為±0.3mm
 11P-20P公差值為±0.5mm

SPECIFICATIONS

Electrical

Current Rating : 5A AC, DC

Voltage Rating : 250V AC, DC

Operating Temp. : -25°C ~ +85°C

Insulation Resistance : 1000MΩ/ min.

Dielectric Withstanding Voltage : 1500V AC/ min.

Contact Resistance : 10mΩ/ max.

Material

Material : Nylon66, UL94V-2

Terminal Material : Brass / Tin-plated

Poles	Dimension mm (in.)		Part No.
	A	B	
2	3.96	7.92	LW-MX396R-02
3	7.92	11.88	LW-MX396R-03
4	11.88	15.84	LW-MX396R-04
5	15.84	19.80	LW-MX396R-05
6	19.80	23.76	LW-MX396R-06
7	23.76	27.72	LW-MX396R-07
8	27.72	31.68	LW-MX396R-08
9	31.68	35.64	LW-MX396R-09
10	35.64	39.60	LW-MX396R-10
11	39.60	43.56	LW-MX396R-11
12	43.56	47.52	LW-MX396R-12
13	47.52	51.48	LW-MX396R-13
14	51.48	55.44	LW-MX396R-14
15	55.44	59.40	LW-MX396R-15
16	59.40	63.36	LW-MX396R-16
17	63.36	67.32	LW-MX396R-17
18	67.32	71.28	LW-MX396R-18
20	75.24	79.20	LW-MX396R-20

			公差/UNLESS OTHERWISE SPECIFIED TOLERANCES ARE	單位/Unit mm	品名(Title) :
A0	NEW DRAWING	2018.08.16	X.XX ±0.35 X.X ±0.5	比例/Scale Free	3.96mm Wire-to-Board Header DIP 90° Type
REV	概述/REVISION	日期/DATE		Size A4	料號/Part No : LW-MX396R-XX

			圖號/Drawing No :
			3961-XX-RT

鍊亨電子有限公司
 LAI HENG TECHNOLOGY LTD.
 TEL:(02) 8228-6487 FAX:(02) 8228-6486

核對/APPD. Joe 審核/CHKD. Joe 製圖/DR. Mandy 報數/Sheet 1 of 1

REV. A0