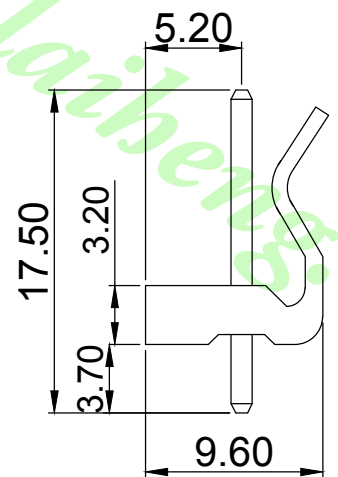
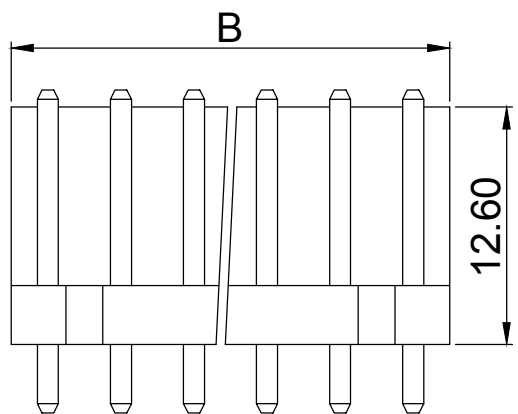


RECOMMENDED P.C.BOARD HOLE DIMM.



PART NO.:
LW-MX 396 S - XX

No.Of Contact:02~20
 Angle Type: Straight (180°)
 Pitch:3.96mm
 Wafer Series No.

SPECIFICATIONS

Electrical

Current Rating : 5A AC, DC
 Voltage Rating : 250V AC, DC
 Operating Temp. : -25°C ~ +85°C
 Insulation Resistance : 1000MΩ/ min.
 Dielectric Withstanding Voltage : 1500V AC/ min.
 Contact Resistance : 10mΩ/ max.

Material

Material : Nylon66, UL94V-2
 Terminal Material : Brass / Tin-plated

Poles	Dimension mm (in.)		Part No.
	A	B	
2	3.96	7.92	LW-MX396S-02
3	7.92	11.88	LW-MX396S-03
4	11.88	15.84	LW-MX396S-04
5	15.84	19.80	LW-MX396S-05
6	19.80	23.76	LW-MX396S-06
7	23.76	27.72	LW-MX396S-07
8	27.72	31.68	LW-MX396S-08
9	31.68	35.64	LW-MX396S-09
10	35.64	39.60	LW-MX396S-10
11	39.60	43.56	LW-MX396S-11
12	43.56	47.52	LW-MX396S-12
13	47.52	51.48	LW-MX396S-13
14	51.48	55.44	LW-MX396S-14
15	55.44	59.40	LW-MX396S-15
16	59.40	63.36	LW-MX396S-16
17	63.36	67.32	LW-MX396S-17
18	67.32	71.28	LW-MX396S-18
20	75.24	79.20	LW-MX396S-20

公差/UNLESS OTHERWISE SPECIFIED TOLERANCES ARE			單位/Unit mm	品名(Title) : 3.96mm Wire-to-Board Header DIP 180° Type		鍊亨電子有限公司 LAI HENG TECHNOLOGY LTD. TEL:(02) 8228-6487 FAX:(02) 8228-6486
X.XX ±0.35 X.X ±0.5			比例/Scale Free	料號/Part No : LW-MX396S-XX		
A0	NEW DRAWING	2018.08.16	Size A4	圖號/Drawing No : 3961-XX-ST		核對/APPD. Joe
REV	概述/REVISION	日期/DATE				製圖/DR. Mandy
						報數/Sheet 1 of 1
						REV. A0