

**Features:**

- 2 ~ 12 circuits available
- Material: LCP
- Tin-plated brass pin
- Mates with LH-MF300M-XX housing

**Specification:**

- Current rating: 5A AC, DC
- Voltage rating: 250V AC, DC
- Contact resistance: 10mΩ Max.
- Dielectric withstanding voltage: 1500V AC/minute
- Ambient temperature range: -25°C ~ 85°C

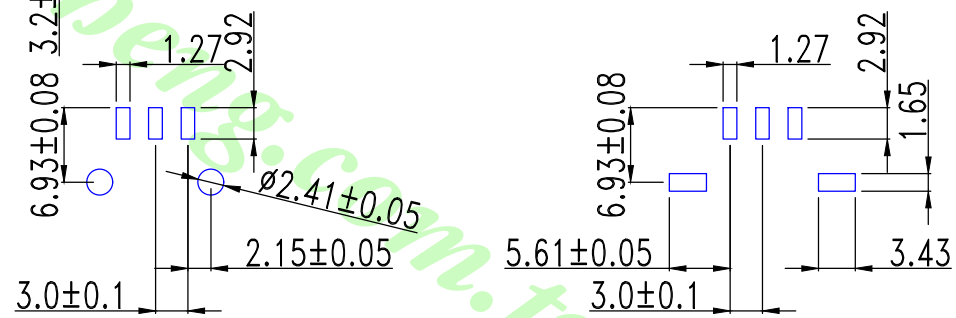
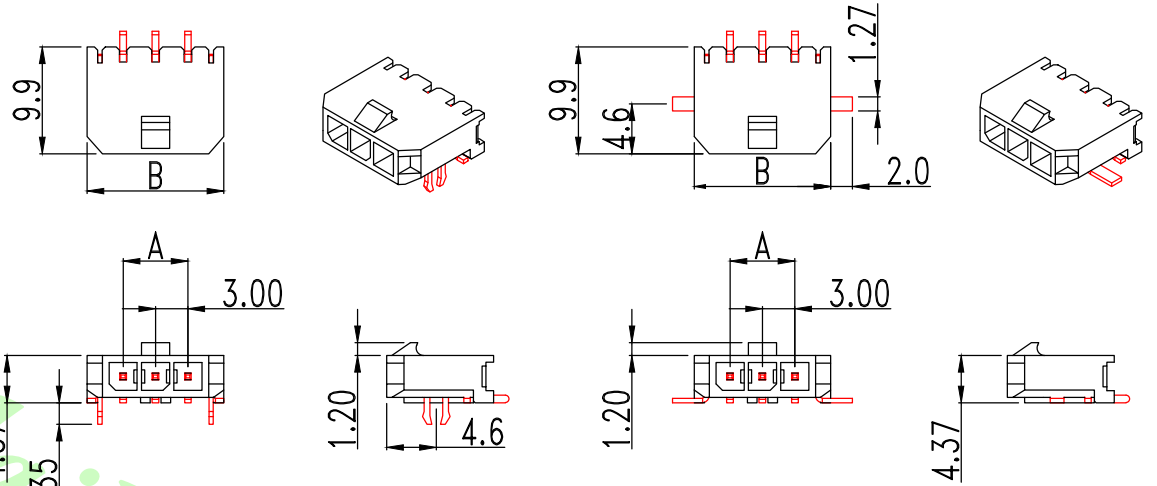
**Ordering Information**

Part No.	Feature	Dim. X
LW-MF300R-XX-SH	With solderable retention clip	3.2
LW-MF300R-XX-SF	With solderable fitting nail	

&& xx = 02 ~ 12

P/N:LW-MF300R-XX-SH

P/N:LW-MF300R-XX-SF



PCB Layout: Component side

PCB Layout: Component side

**Dimensional Information**

Circuits	Dim. A	Dim. B	Circuits	Dim. A	Dim. B	Circuits	Dim. A	Dim. B	Circuits	Dim. A	Dim. B	Circuits	Dim. A	Dim. B	Circuits	Dim. A	Dim. B
2	3.0	9.65	4	9.0	15.65	6	15.0	21.65	8	21.0	27.65	10	27.0	33.65	12	33.0	39.65
3	6.0	12.65	5	12.0	18.65	7	18.0	24.65	9	24.0	30.65	11	30.0	36.65			

公差/UNLESS OTHERWISE SPECIFIED TOLERANCES ARE X.XXX ±0.05 X.XX ±0.15 X.X ±0.25			單位/Unit: mm 比例/Scale: Free Size A4	品名(Title): .118"(3.0mm) Single Row Right Angle (90°) Header ,SMT 料號/Part No.: LW-MF300R-XX-S__	圖號/Drawing No.: 30002WR-SMT-N	銖亨電子有限公司 LAI HENG TECHNOLOGY LTD. TEL:(02) 8228-6487 FAX:(02) 8228-6486
A0	NEW DRAWING	2018.08.20				核對/APPD: Joe 審核/CHKD: Joe 製圖/DR: Mandy 張數/Sheet: 1 of 1
REV	概述/REVISION	日期/DATE				1 of 1 REV. A0