

Features:

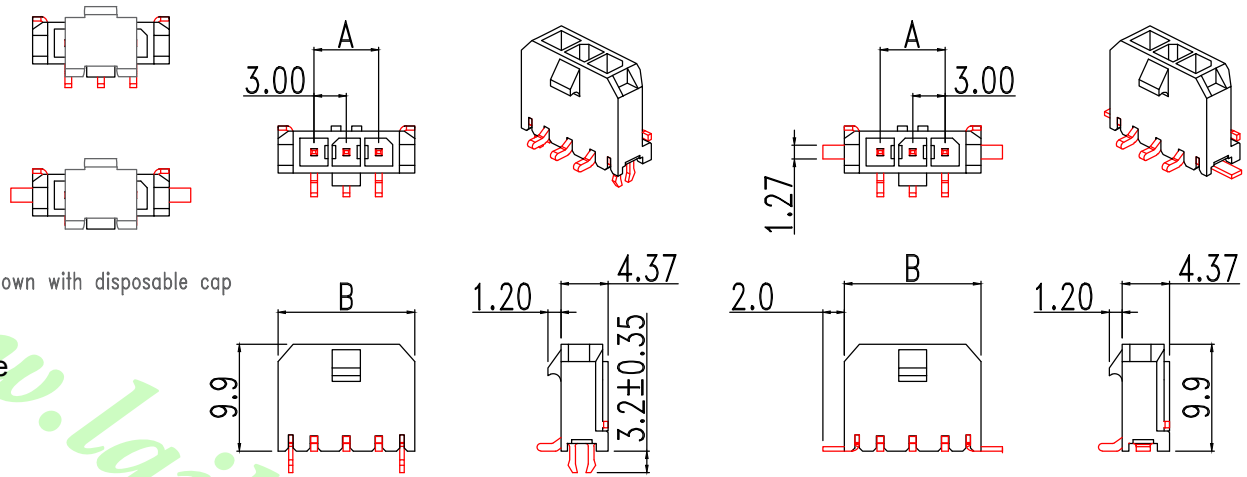
- 2 ~ 12 circuits available
- Material: LCP
- Tin-plated brass pin
- Mates with LH-MF300M-XX housing

Specification:

- Current rating: 5A AC, DC
- Voltage rating: 250V AC, DC
- Contact resistance: 10m Max.
- Dielectric withstanding voltage: 1500V AC/minute
- Ambient temperature range: -25°C ~ 85°C

P/N: LW-MF300S-XX-SHI

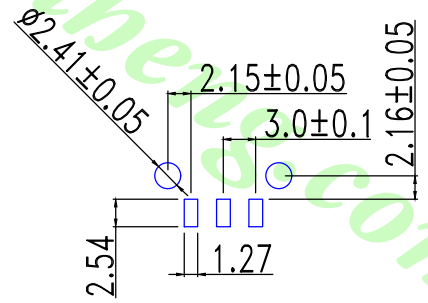
P/N: LW-MF300S-XX-SFI



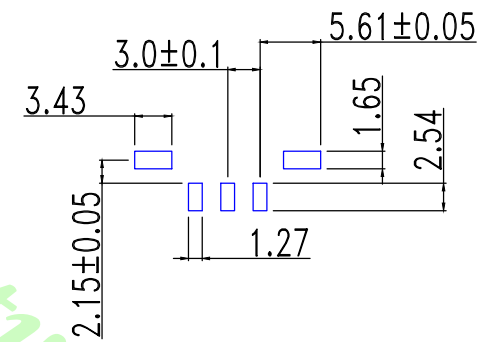
Ordering Information

Part No.	Feature	Dim. X
LW-MF300S-XX-SHI	With solderable retention clip	3.2
LW-MF300S-XX-SFI	With solderable fitting nail	

&& xx = 02 ~ 12



PCB Layout: Component side



PCB Layout: Component side

Dimensional Information

Circuits	Dim. A	Dim. B	Circuits	Dim. A	Dim. B	Circuits	Dim. A	Dim. B	Circuits	Dim. A	Dim. B	Circuits	Dim. A	Dim. B	Circuits	Dim. A	Dim. B
2	3.0	9.65	4	9.0	15.65	6	15.0	21.65	8	21.0	27.65	10	27.0	33.65	12	33.0	39.65
3	6.0	12.65	5	12.0	18.65	7	18.0	24.65	9	24.0	30.65	11	30.0	36.65			

			公差/UNLESS OTHERWISE SPECIFIED TOLERANCES ARE	單位/Unit mm	品名(Title):	銖亨電子有限公司 LAI HENG TECHNOLOGY LTD. TEL: (02) 8228-6487 FAX: (02) 8228-6486				
			X.XXX ±0.05	比例/Scale	.118" (3.0mm) Single Row Vertical (180°) Header ,SMT					
A0	NEW DRAWING	2018.08.20	X.XX ±0.15	Free	料號/Part No:	圖號/Drawing No:				
REV	概述/REVISION	日期/DATE	X.X ±0.25	A4	LW-MF300S-XX-S_I	30002WS-SMT-N				
						核對/APPD. 740	審核/CHKD. Joe	製圖/DR. Mandy	張數/Sheet 1 of 1	REV. A0