

PART NO.:
LW-DF13 S-XX-SP

S: SMT Type
P: Post

No. Of Contact: 02~15

Angle Type: Straight Angle (180°)

Wafer Series No.
(Pitch: 1.25mm)

SPECIFICATIONS

Current Rating: 1A AC,DC

Voltage Rating: 100V AC,DC

Temperature Range: -25°C ~ +85°C.

Contact Resistance: 20mΩ Max.

Insulation Resistance: 500MΩ Min.

Withstanding Voltage: 500V AC/Min.

Pin Material: Phosphor Bronze, Tin-plated.

Solder Tabs: Brass, Tin-plated.

Material: Nylon 6T, UL94V-0.

Ordering Information & Dimensions

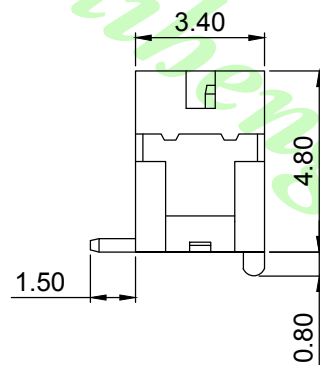
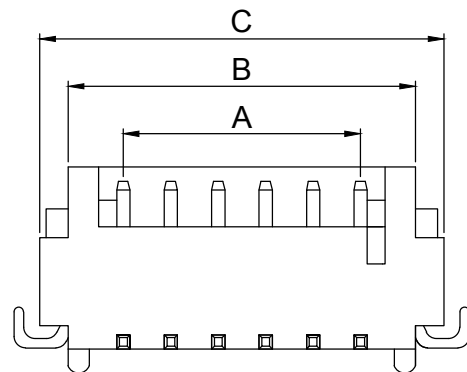
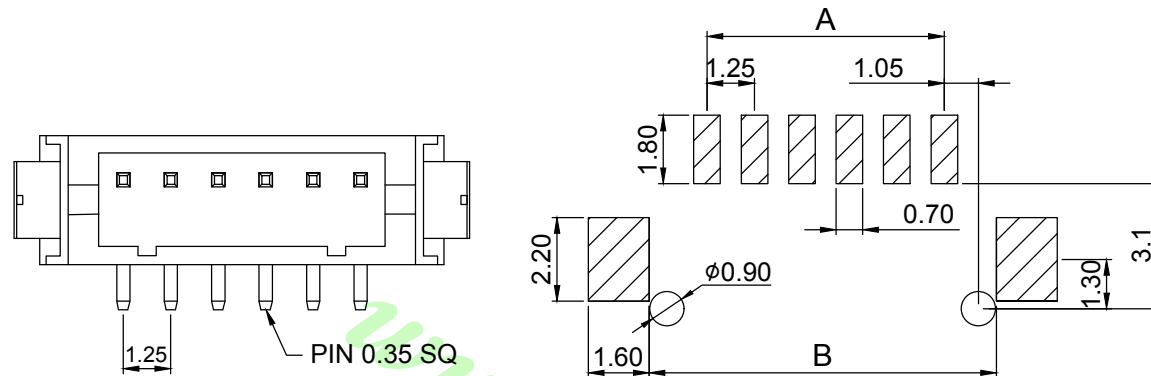
PART NO.	Dimensions		
	A	B	C
LW-DF13S-02-SP	1.25	4.15	6.25
LW-DF13S-03-SP	2.50	5.40	7.50
LW-DF13S-04-SP	3.75	6.65	8.75
LW-DF13S-05-SP	5.00	7.90	10.00
LW-DF13S-06-SP	6.25	9.15	11.25
LW-DF13S-07-SP	7.50	10.40	12.50
LW-DF13S-08-SP	8.75	11.65	13.75
LW-DF13S-09-SP	10.00	12.90	15.00
LW-DF13S-10-SP	11.25	14.15	16.25
LW-DF13S-11-SP	12.50	15.40	17.50
LW-DF13S-12-SP	13.75	16.65	18.75
LW-DF13S-13-SP	15.00	17.90	20.00
LW-DF13S-14-SP	16.25	19.15	21.25
LW-DF13S-15-SP	17.50	20.40	22.50

			公差/UNLESS OTHERWISE SPECIFIED TOLERANCES ARE	單位/Unit mm	品名(Title):
A0	NEW DRAWING	2018.08.16	X.XX ±0.15 X.X ±0.25	比例/Scale Free	1.25mm Wire-to-Board Header SMT 180° With Post
REV	概述/REVISION	日期/DATE		料號/Part No:	LW-DF13S-XX-SP
				圖號/Drawing No:	1251F-XX-ST-S

鍊亨電子有限公司
LAI HENG TECHNOLOGY LTD.
TEL: (02) 8228-6487 FAX: (02) 8228-6486

核對/APPD. Joe 審核/CHKD. Joe 製圖/OR. Mandy 報數/Sheet 1 of 1

REV. A0



PART NO.:
LW-DF13 S - XX - SPR

S: SMT Type
P: Post
R: Tape&Reel

No.Of Contact: 02~15

Angle Type: Straight Angle (180°)

Wafer Series No.
(Pitch: 1.25mm)

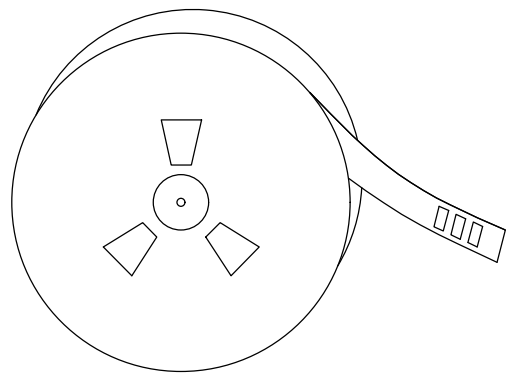
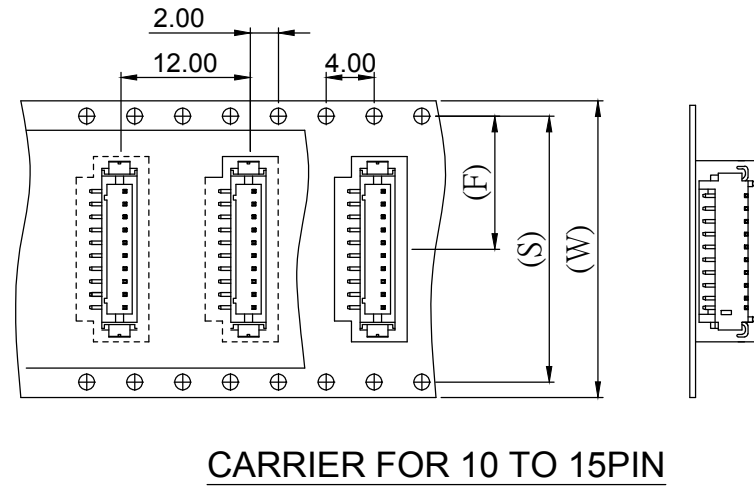
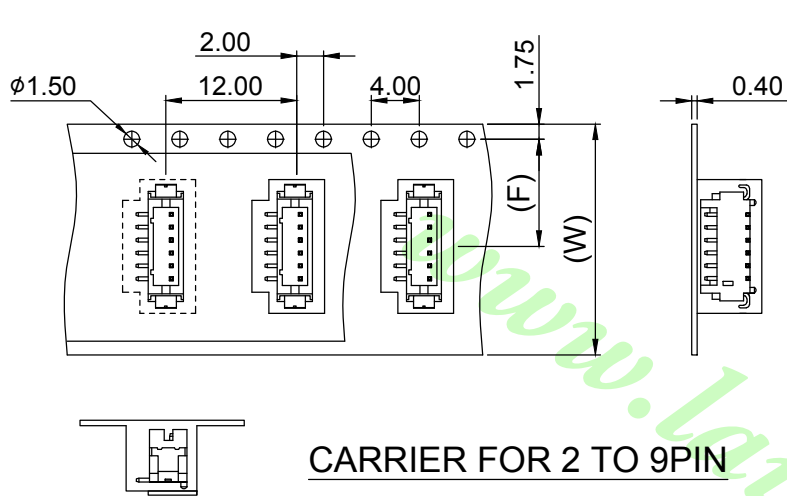
SPECIFICATIONS

- Current Rating: 1A AC,DC
- Voltage Rating: 100V AC,DC
- Temperature Range: -25°C ~ +85°C.
- Contact Resistance: 20mΩ Max.
- Insulation Resistance: 500MΩ Min.
- Withstanding Voltage: 500V AC/Min.
- Pin Material: Phosphor Bronze, Tin-plated.
- Solder Tabs: Brass, Tin-plated.
- Material: Nylon 6T, UL94V-0.

Ordering Information & Dimensions

PART NO.	Dimensions		
	A	B	C
LW-DF13S-02-SPR	1.25	4.15	6.25
LW-DF13S-03-SPR	2.50	5.40	7.50
LW-DF13S-04-SPR	3.75	6.65	8.75
LW-DF13S-05-SPR	5.00	7.90	10.00
LW-DF13S-06-SPR	6.25	9.15	11.25
LW-DF13S-07-SPR	7.50	10.40	12.50
LW-DF13S-08-SPR	8.75	11.65	13.75
LW-DF13S-09-SPR	10.00	12.90	15.00
LW-DF13S-10-SPR	11.25	14.15	16.25
LW-DF13S-11-SPR	12.50	15.40	17.50
LW-DF13S-12-SPR	13.75	16.65	18.75
LW-DF13S-13-SPR	15.00	17.90	20.00
LW-DF13S-14-SPR	16.25	19.15	21.25
LW-DF13S-15-SPR	17.50	20.40	22.50

		公差/UNLESS OTHERWISE SPECIFIED TOLERANCES ARE		單位/Unit	品名(Title):		 鍊亨電子有限公司 LAI HENG TECHNOLOGY LTD. TEL: (02) 8228-6487 FAX: (02) 8228-6486
		X.XX ±0.15 X.X ±0.25		mm	1.25mm Wire-to-Board Header SMT 180° With Post Tape&Reel		
A0	NEW DRAWING	2018.08.16		比例/Scale	料號/Part No:		核對/APPD.
REV	概述/REVISION	日期/DATE		Free	LW-DF13S-XX-SPR		7/10
				Size	圖號/Drawing No:		審核/CHKD.
				A4	1251F-XX-ST-S-T&R		Joe
							製圖/DR.
							Mandy
							報數/Sheet
							1 of 2
							REV.
							A0

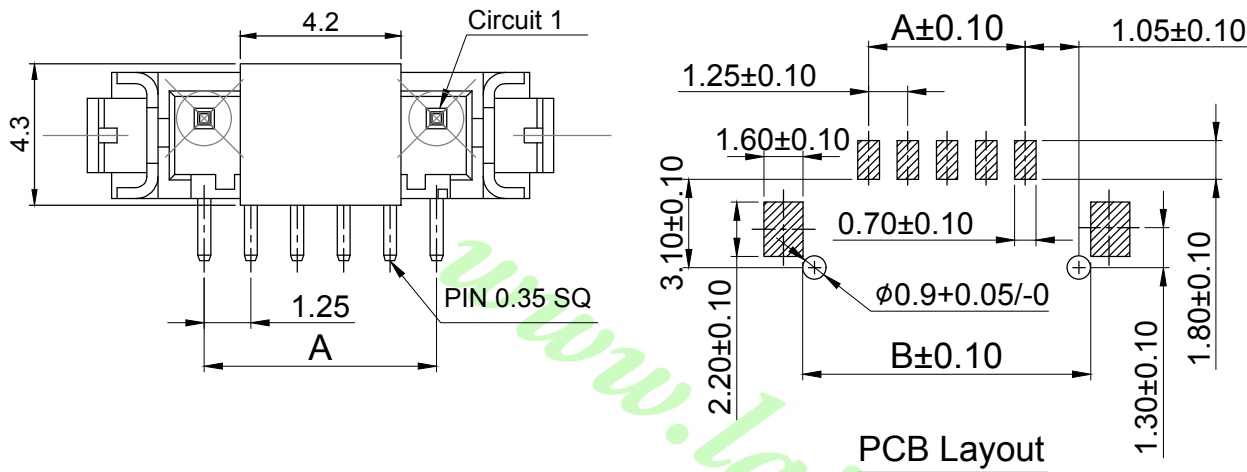


P/N	W±0.3	F±0.15	S±0.15
02P	16	7.5	--
03P	24	11.5	--
04P	24	11.5	--
05P	24	11.5	--
06P	24	11.5	--
07P	24	11.5	--
08P	24	11.5	--
09P	24	11.5	--
10P	32	14.2	28.40
11P	32	14.2	28.40
12P	32	14.2	28.40
13P	32	14.2	28.40
14P	32	14.2	28.40
15P	44	20.2	40.40

			公差/UNLESS OTHERWISE SPECIFIED TOLERANCES ARE	單位/Unit mm	品名(Title):
A0	NEW DRAWING	2018.08.16	X.XX ±0.15 X.X ±0.25	比例/Scale Free	1.25mm Wire-to-Board Header SMT 180° With Post Tape&Reel
REV	概述/REVISION	日期/DATE		Size A4	料號/Part No: LW-DF13S-XX-SPR

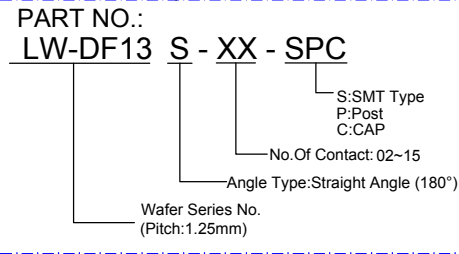
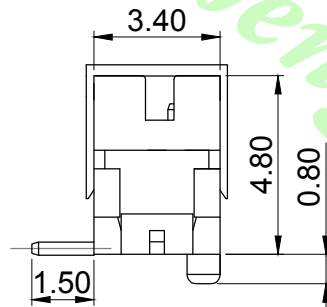
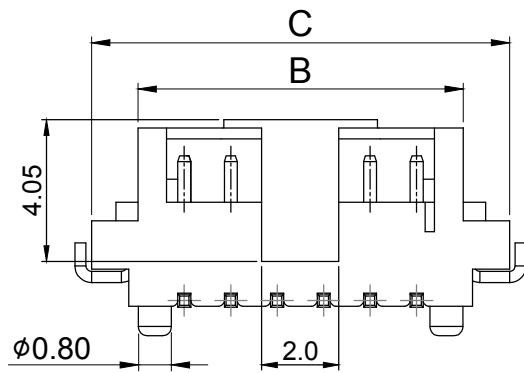
圖號/Drawing No:	1251F-XX-ST-S-T&R
----------------	-------------------


鍊亨電子有限公司
 LAI HENG TECHNOLOGY LTD.
 TEL: (02) 8228-6487 FAX: (02) 8228-6486
 核對/APPD. Joe 審核/CHKD. Joe 製圖/DR. Mandy 張數/Sheet 2 of 2



SPECIFICATIONS

Current Rating: 1A AC,DC
 Voltage Rating: 100V AC,DC
 Temperature Range: -25°C ~ +85°C.
 Contact Resistance: 20mΩ Max.
 Insulation Resistance: 500MΩ Min.
 Withstanding Voltage: 500V AC/Min.
 Pin Material: Phosphor Bronze, Tin-plated.
 Solder Tabs: Brass, Tin-plated.
 Material: Nylon 6T, UL94V-0.



Ordering Information & Dimensions

PART NO.	Dimensions		
	A	B	C
LW-DF13S-02-SPC	1.25	4.15	6.25
LW-DF13S-03-SPC	2.50	5.40	7.50
LW-DF13S-04-SPC	3.75	6.65	8.75
LW-DF13S-05-SPC	5.00	7.90	10.00
LW-DF13S-06-SPC	6.25	9.15	11.25
LW-DF13S-07-SPC	7.50	10.40	12.50
LW-DF13S-08-SPC	8.75	11.65	13.75
LW-DF13S-09-SPC	10.00	12.90	15.00
LW-DF13S-10-SPC	11.25	14.15	16.25
LW-DF13S-11-SPC	12.50	15.40	17.50
LW-DF13S-12-SPC	13.75	16.65	18.75
LW-DF13S-13-SPC	15.00	17.90	20.00
LW-DF13S-14-SPC	16.25	19.15	21.25
LW-DF13S-15-SPC	17.50	20.40	22.50

A0	NEW DRAWING	2018.08.16
REV	概述/REVISION	日期/DATE

公差/UNLESS OTHERWISE SPECIFIED TOLERANCES ARE:	單位/Unit mm
X.XX ±0.15	比例/Scale Free
X.X ±0.25	Size A4

品名(Title):	1.25mm Wire-to-Board Header SMT 180° With Post,CAP
料號/Part No.:	LW-DF13S-XX-SPC
圖號/Drawing No.:	1251F-XX-ST-S-C

鍊亨電子有限公司
 LAI HENG TECHNOLOGY LTD.
 TEL: (02) 8228-6487 FAX: (02) 8228-6486

核對/APPD. Joe 審核/CHKD. Joe 製圖/DR. Mandy 報數/Sheet 1 of 1