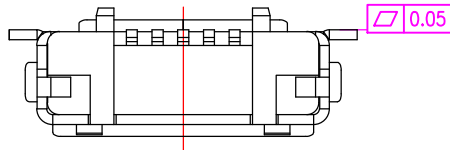
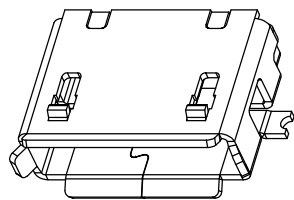


RoHS

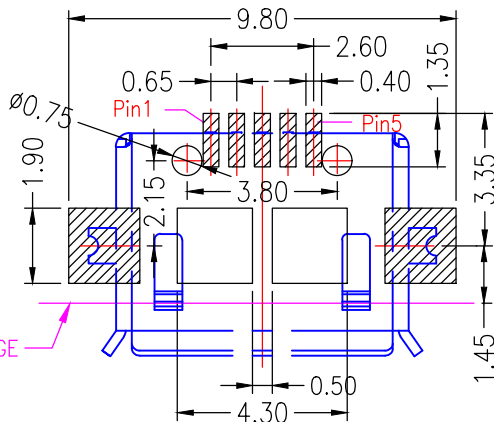
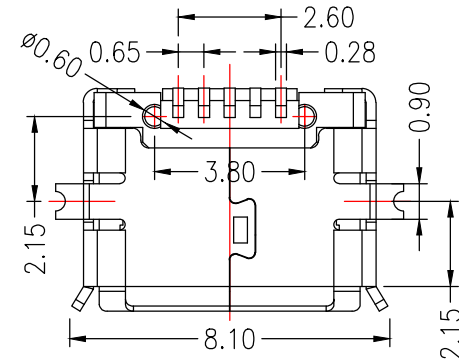
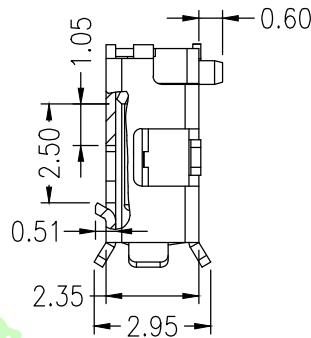
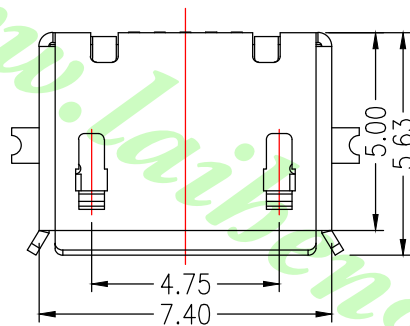
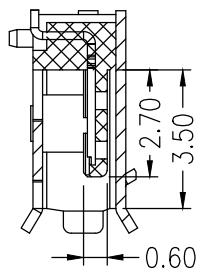


MATERIALS

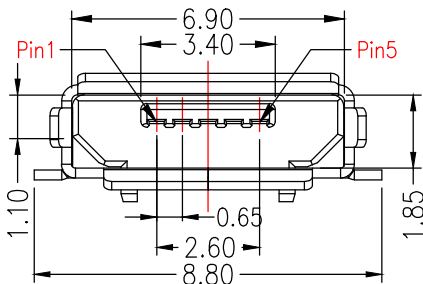
HOUSING: HI-TEMP. PLASTIC (UL 94V-0)
 SHELL: COPPER ALLOY, TIN PLATING
 TERMINAL: COPPER ALLOY, GOLD PLATED ON CONTACT AREA
 TIN PLATING ON SOLDER TAIL

SPECIFICATION

CURRENT RATING: 1.8 AMP MAX (ONLY PIN 1, 5), OTHER 1 AMP MAX
 DIELECTRIC WITHSTANDING: 100V AC FOR ONE MINUTE
 CONTACT RESISTANCE: 50m OHMS MAX
 INSULATION RESISTANCE: 100M OHMS MIN AT DC 500V
 OPERATION TEMPERATURE: -25°C~+105°C

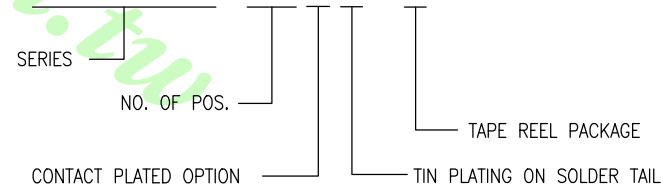


P.C.B LAYOUT
TOP VIEW ±0.05



PART NUMBER

LMCUB-22UBH 0 5 1 T 1 2 4 L



- CONTACT PLATED OPTION
- 1: GOLD FLASH
 - 2: 5u" GOLD
 - 3: 10u" GOLD
 - 4: 15u" GOLD
 - 6: 30u" GOLD

公認/UNLESS OTHERWISE SPECIFIED TOLERANCES ARE			單位/Unit mm	品名/Title : MICRO USB AB TYPE, PCB MOUNT, SMT, METAL SHIELD , FEMALE ,WITH POST
.X ±0.30			比例/Scale	料號/Part No : LMCUB-22UBH051T124L
.XX ±0.20			Free	
.XXX ±0.10			Size	圖號/Drawing No : 22UB-005
ANG. ±3°			A4	
A0	NEW DRAWING	2018.09.25		
REV	概述/REVISION	日期/DATE		


鍊亨電子有限公司
 LAI HENG TECHNOLOGY LTD.
 TEL:(02) 8228-6487 FAX:(02) 8228-6486
 核加/APPD. 7/0 審核/CHKD. Joe 製圖/DR. Mandy 張數/Sheet 1 of 1