

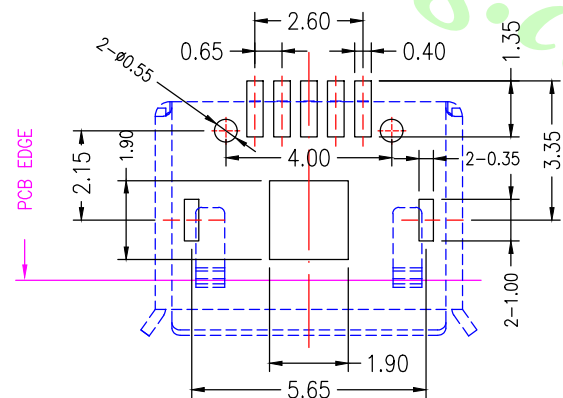
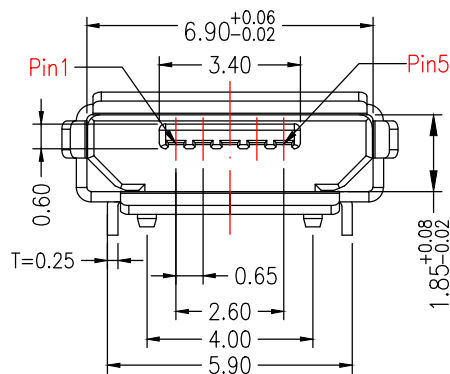
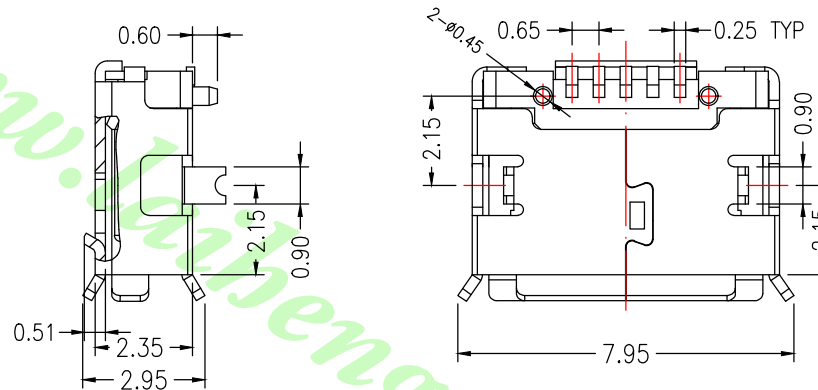
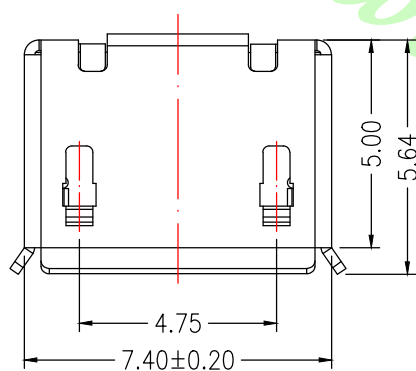
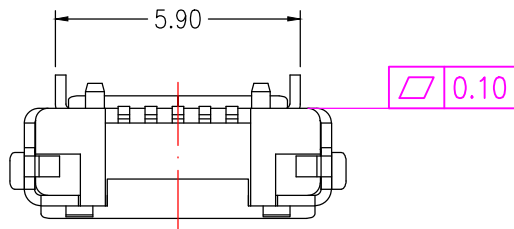
RoHS

MATERIALS

HOUSING: HI-TEMP. PLASTIC (UL 94V-0)
 SHELL: SHELL: COPPER ALLOY OR STAINLESS STEEL,
 TIN PLATED OR NICKEL PLATED
 TERMINAL: COPPER ALLOY, GOLD PLATED

SPECIFICATION


CURRENT RATING: 1.8 AMP MAX (ONLY PIN 1,5), OTHER 1 AMP MAX
 DIELECTRIC WITHSTANDING: 100V AC FOR ONE MINUTE
 CONTACT RESISTANCE: 50m OHMS MAX
 INSULATION RESISTANCE: 100M OHMS MIN AT DC 500V
 OPERATION TEMPERATURE: -25°C~+85°C



PART NUMBER

LMCUB-22UBH 0 5 1 1 2 2 L * *

SERIES: LMCUB-22UBH
 NO. OF POS.: 0 5 1
 CONTACT PLATED OPTION:
 1: GOLD FLASH
 2: 5u" GOLD
 3: 10u" GOLD
 4: 15u" GOLD
 6: 30u" GOLD
 SHELL PLATED OPTION:
 EMPTY: TIN PLATED
 1: NICKEL PLATED
 SHELL MATERIAL:
 1: COPPER ALLOY
 2: STAINLESS STEEL
 TAPE REEL PACKAGE

		公差/UNLESS OTHERWISE SPECIFIED TOLERANCES ARE		單位/Unit	品名/Title :	 鍊亨電子有限公司 LAI HENG TECHNOLOGY LTD. TEL:(02) 8228-6487 FAX:(02) 8228-6486	
				mm	MICRO USB AB TYPE, PCB MOUNT, SMT,METAL SHIELD , FEMALE ,WITH POST		
A0	NEW DRAWING	2018.09.25	.X ±0.30 .XX ±0.20 .XXX ±0.10 ANG. ±3°	比例/Scale	料號/Part No :	圖號/Drawing No :	核加/APPD.
REV	概述/REVISION	日期/DATE		Free Size A4	LMCUB-22UBH051122Lx x	22UB-003	審核/CHKD.
							製圖/DR.
							張數/Sheet
							1 of 1
							REV. A0