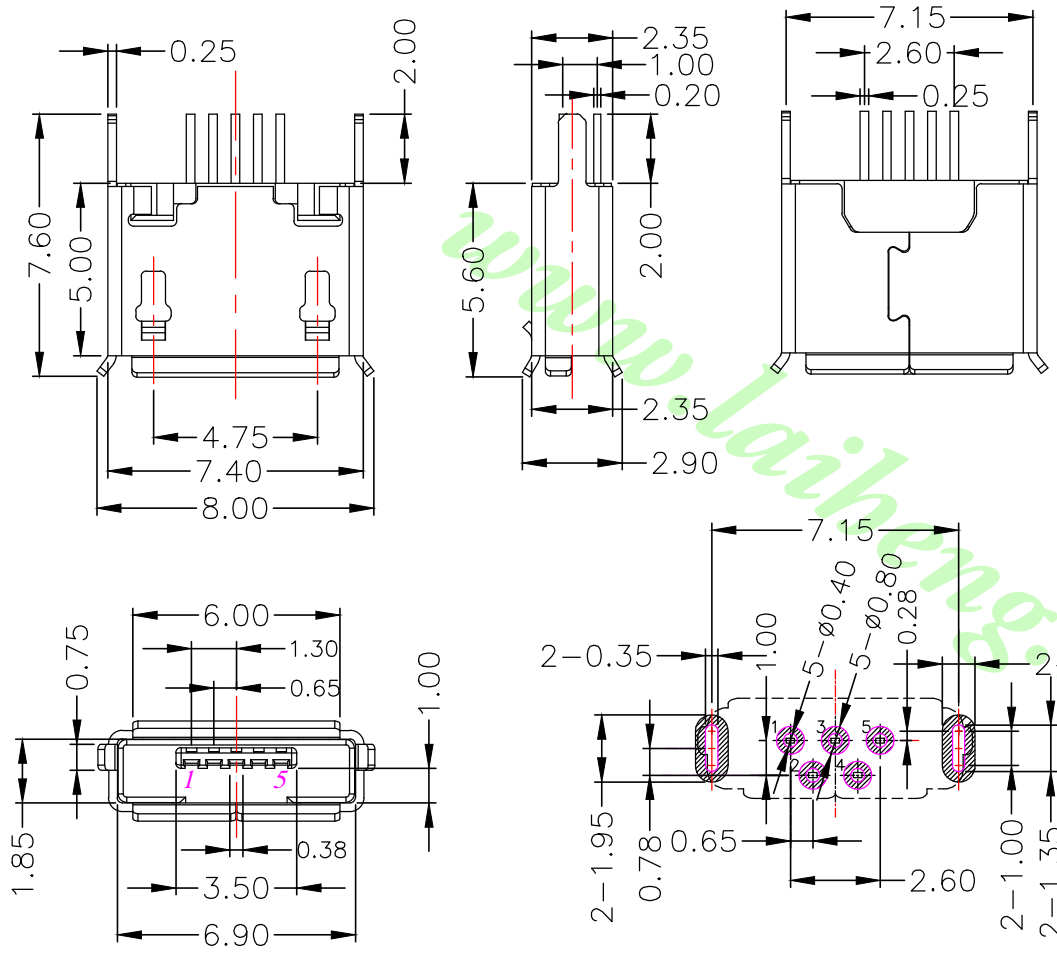


RoHS



MATERIALS

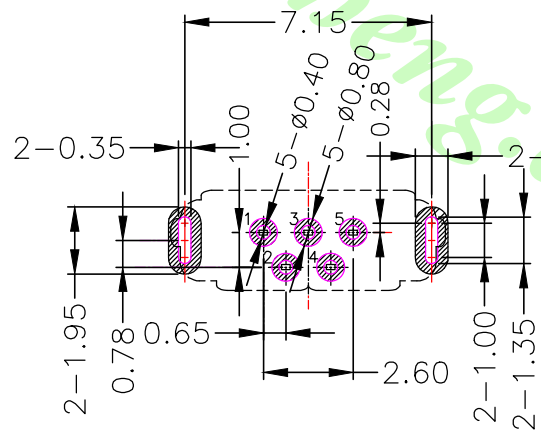
HOUSING: THERMOPLASTICS (UL 94V-0)
 SHELL: SUS, TIN PLATING
 TERMINAL: COPPER ALLOY, GOLD PLATED OVER ALL

SPECIFICATION

CURRENT RATING: 1 AMP MAX
 DIELECTRIC WITHSTANDING: 500V AC FOR ONE MINUTE
 CONTACT RESISTANCE: 30m OHMS MAX
 INSULATION RESISTANCE: 1000M OHMS MIN AT DC 100V
 OPERATION TEMPERATURE: -25°C~+105°C

CONTACT NUMBER	SIGNAL NAME
PIN 1	VBUS
PIN 2	D-
PIN 3	D+
PIN 4	ID
PIN 5	GND

RECOMMENDED P.C.B LAYOUT



PART NUMBER

LMCUB-22PMH 0 5 1 T 1 2 2 L

SERIES ————
 NO. OF POS. ————
 CONTACT PLATED OPTION ————
 1: GOLD FLASH

————— TAPE REEL PACKAGE
 T: GOLD PLATED OVER ALL

		公差/UNLESS OTHERWISE SPECIFIED TOLERANCES ARE		單位/Unit	品名/Title :	
				mm	MICRO USB A/B TYPE, PCB MOUNT, UPRIGHT,	
		.X ±0.30		比例/Scale	METAL SHIELD, FEMALE VERTICAL DIP LONG TERMINAL	
		.XX ±0.20		Free	料號/Part No :	
		.XXX ±0.10		Size	圖號/Drawing No :	
		ANG. ±3°		A4	22PM-003	
A0	NEW DRAWING	2018.09.25			LAI HENG TECHNOLOGY LTD.	
REV	概述/REVISION	日期/DATE			TEL:(02) 8228-6487 FAX:(02) 8228-6486	
				核加/APPD. 740		製圖/DR. Mandy
				審核/CHKD. Joe		張數/Sheet 1 of 1
				REV. A0		

鍊亨電子有限公司
 LAI HENG TECHNOLOGY LTD.
 TEL:(02) 8228-6487 FAX:(02) 8228-6486