

RoHS

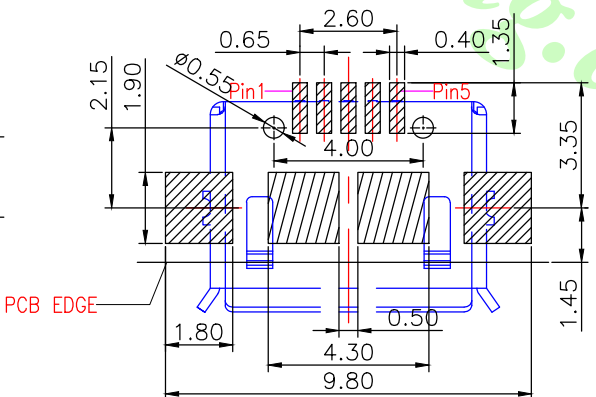
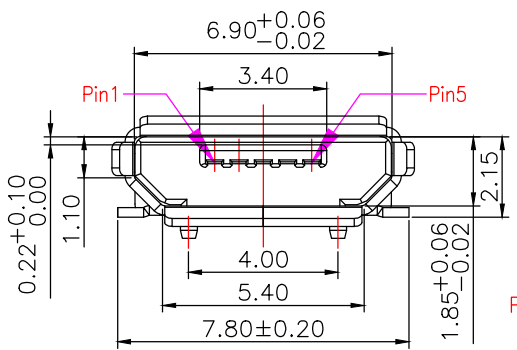
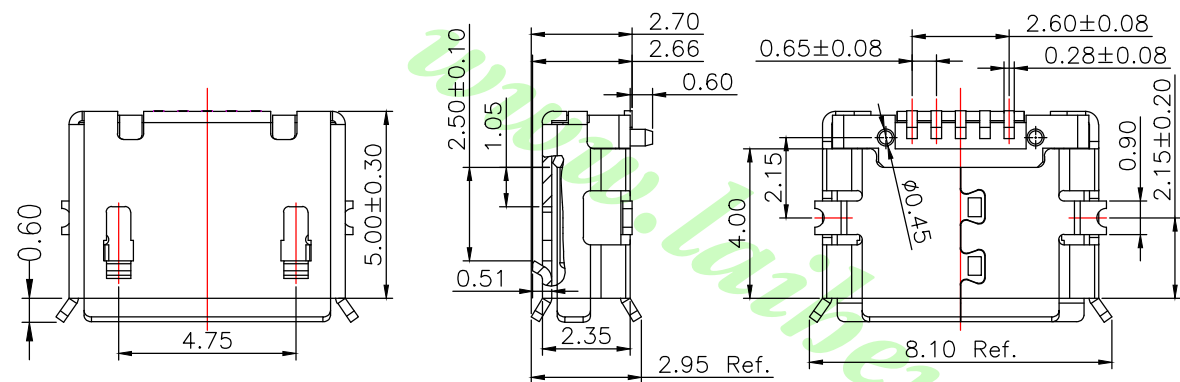


MATERIALS

HOUSING: HI-TEMP. PLASTIC (UL 94V-0)
 SHELL: COPPER ALLOY & STAINLESS STEEL,
 TIN PLATED & NICKEL PLATED
 TERMINAL: COPPER ALLOY, GOLD PLATED OVER ALL

SPECIFICATION

CURRENT RATING: 1.8 AMP MAX (ONLY PIN 1, 5), OTHER 1 AMP MAX
 DIELECTRIC WITHSTANDING: 100V AC FOR ONE MINUTE
 CONTACT RESISTANCE: 30m OHMS MAX
 INSULATION RESISTANCE: 100M OHMS MIN AT DC 500V
 OPERATION TEMPERATURE: -25°C~+105°C



PART NUMBER

LMCUB-22TBH 0 5 1 1 2 3 L * *

SERIES: LMCUB-22TBH
 NO. OF POS.: 0 5 1 1 2 3
 CONTACT PLATED OPTION:
 1: GOLD FLASH
 2: 5u" GOLD
 3: 10u" GOLD
 4: 15u" GOLD
 6: 30u" GOLD
 PACKAGE OPTION:
 2: TAPE REEL
 3: TUBE
 SHELL PLATED OPTION:
 EMPTY: TIN PLATED
 1: NICKEL PLATED
 SHELL MATERIAL:
 1: COPPER ALLOY
 2: STAINLESS STEEL

公認/UNLESS OTHERWISE SPECIFIED TOLERANCES ARE			單位/Unit mm	品名/Title : MICRO USB B TYPE, PCB MOUNT, SMT,METAL SHIELD , FEMALE ,WITH POST
.X ±0.30			比例/Scale	料號/Part No : LMCUB-22TBH051123Lx x
.XX ±0.20			Free	圖號/Drawing No : 22TB-004
.XXX ±0.10			Size A4	
ANG. ±3°				
A0	NEW DRAWING	2018.09.25		
REV	概述/REVISION	日期/DATE		

鍊亨電子有限公司
 LAI HENG TECHNOLOGY LTD.
 TEL:(02) 8228-6487 FAX:(02) 8228-6486

核加/APPD. 740 審核/CHKD. Joe 製圖/DR. Mandy 張數/Sheet 1 of 1

REV. A0