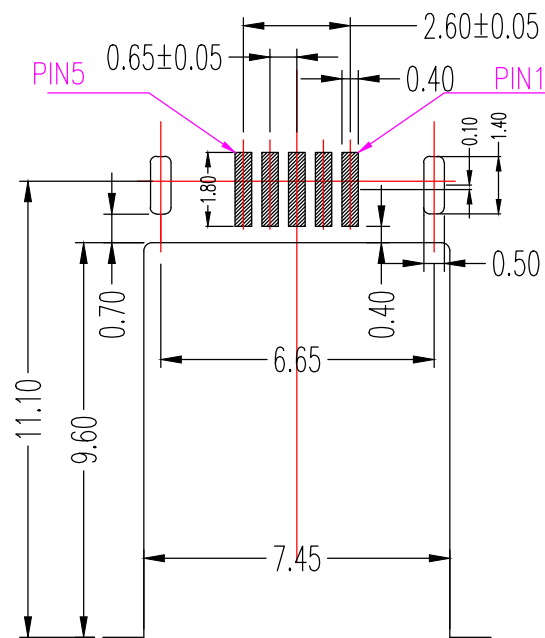
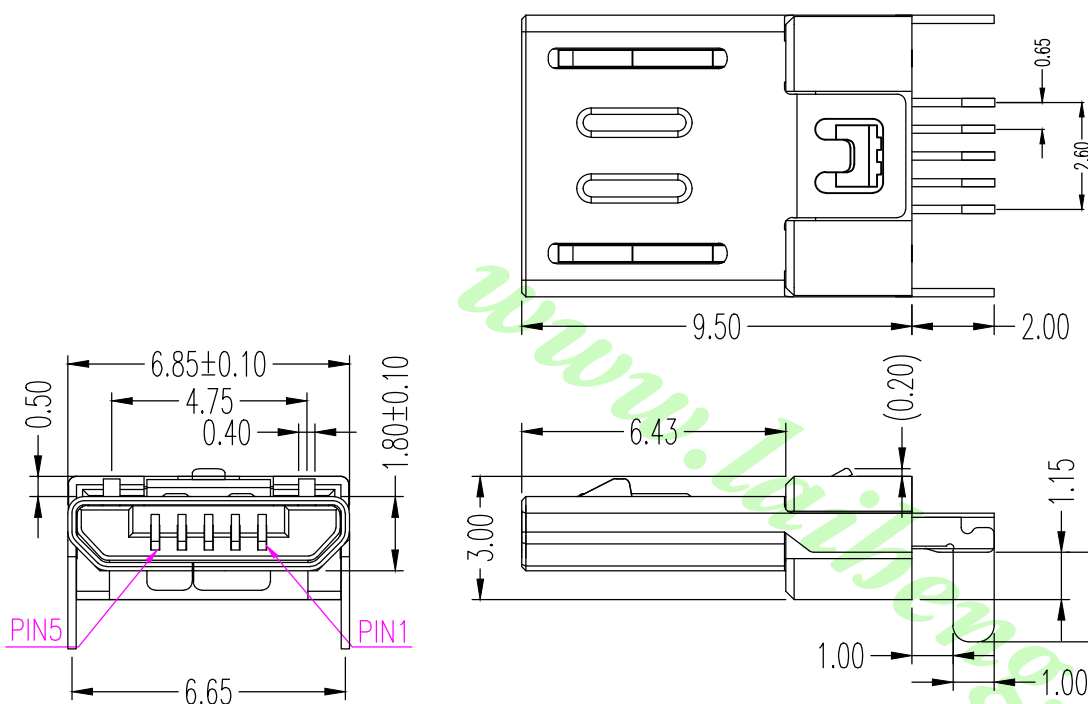


RoHS



P.C.B LAYOUT
TOP VIEW ±0.05

CONTACT NUMBER	SIGNAL NAME
PIN 1	VBUS
PIN 2	D-
PIN 3	D+
PIN 4	ID
PIN 5	GND

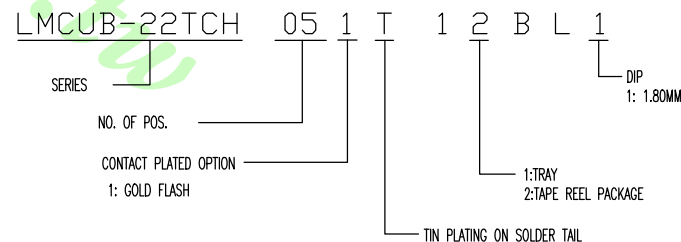
MATERIALS

HOUSING: HI-TEMP. PLASTIC (UL 94V-0)
SHELL: STAINNESS STEEL, NICKEL PLATING
TERMINAL: COPPER ALLOY, GOLD PLATED ON CONTACT AREA
TIN PLATING ON SOLDER TAIL

SPECIFICATION

CURRENT RATING: 1.8 AMP MAX (ONLY PIN 1, 5), OTHER 1 AMP MAX
DIELECTRIC WITHSTANDING: 100V AC FOR ONE MINUTE
CONTACT RESISTANCE: 30m OHMS MAX
INSULATION RESISTANCE: 100M OHMS MIN AT DC 500V
OPERATION TEMPERATURE: -25°C~+85°C

PART NUMBER



公認/UNLESS OTHERWISE SPECIFIED TOLERANCES ARE			單位/Unit	品名/Title :	鍊亨電子有限公司 LAI HENG TECHNOLOGY LTD. TEL:(02) 8228-6487 FAX:(02) 8228-6486
.X	±0.30	mm	比例/Scale	MICRO USB B TYPE, PCB MOUNT, SMT, METAL SHIELD, MALE, CUT BOARD TYPE 3	
.XX	±0.20	Free	料號/Part No :	LMCUB-22TCH051T12BL1	
.XXX	±0.10	Size	圖號/Drawing No :	22TC-011	
ANG. ±3°		A4	核加/APPD. 7/4	審核/CHKD. Joe	
A0	NEW DRAWING	2018.09.25	製圖/DR. Mandy	張數/Sheet 1 of 1	
REV	概述/REVISION	日期/DATE		REV. A0	