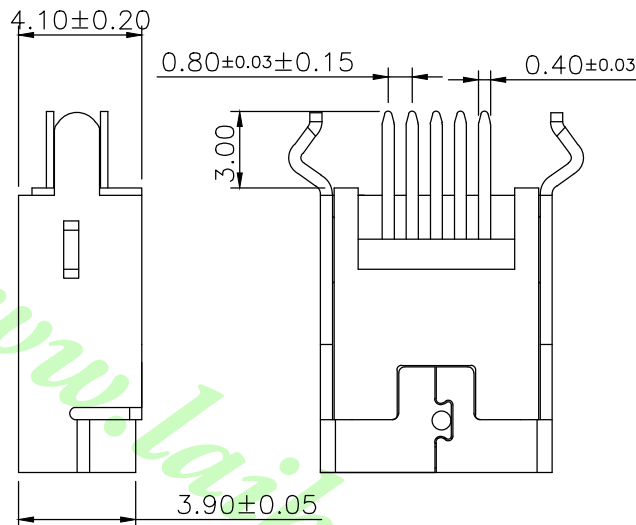
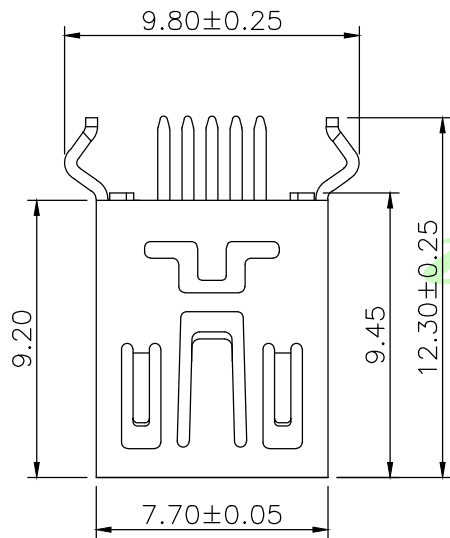


RoHS

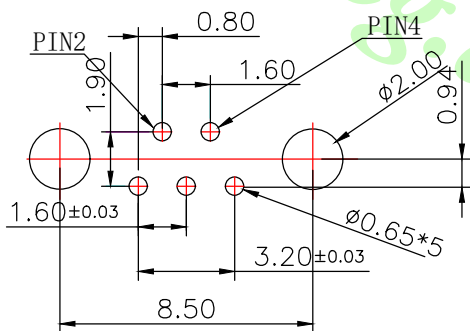
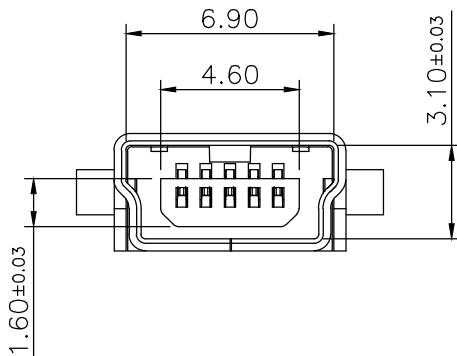


MATERIALS

HOUSING: HI-TEMP PLASTIC (UL 94V-0)  
 SHELL: COPPER ALLOY, NICKEL PLATING  
 TERMINAL: COPPER ALLOY, GOLD PLATED ON CONTACT AREA, TIN PLATED ON SOLDER TAIL

SPECIFICATION

CURRENT RATING: 1 AMP MAX  
 DIELECTRIC WITHSTANDING: 100V AC FOR ONE MINUTE  
 CONTACT RESISTANCE: 50m OHMS MAX  
 INSULATION RESISTANCE: 100M OHMS MIN AT DC 100V  
 OPERATION TEMPERATURE: -25°C~+85°C



RECOMMENDED PCB LAYOUT  
 TOP VIEW TOLERANCE±0.05

PART NUMBER

LMNUB-22MNH 0 5 1 T 1 1 7 L


SERIES ————

NO. OF POS. ————

CONTACT PLATED OPTION ————

1: GOLD FLASH  
 6: 30u" GOLD  
 TIN PLATING ON SOLDER TAIL ————

1: TRAY

		公認/UNLESS OTHERWISE SPECIFIED TOLERANCES ARE		單位/Unit mm	品名/Title :	 <b>鍊亨電子有限公司</b> LAI HENG TECHNOLOGY LTD. TEL:(02) 8228-6487 FAX:(02) 8228-6486	
				比例/Scale Free	MINI USB B TYPE, PCB MOUNT, VERTICAL, METAL SHIELD, FEMALE		
A0	NEW DRAWING	2018.09.25	.X ±0.30 .XX ±0.20 .XXX ±0.10 ANG. ±3°	Size A4	料號/Part No : <b>LMNUB-22MNH051T117L</b>	圖號/Drawing No : 22MN-008	核加/APPD. 7/6
REV	概述/REVISION	日期/DATE					審核/CHKD. Joe
							製圖/DR. Mandy
							張數/Sheet 1 of 1
							REV. A0