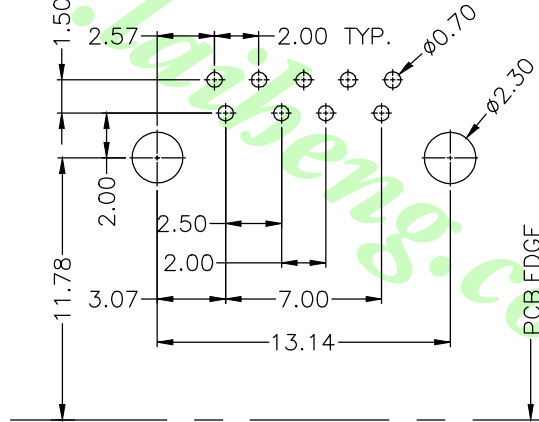
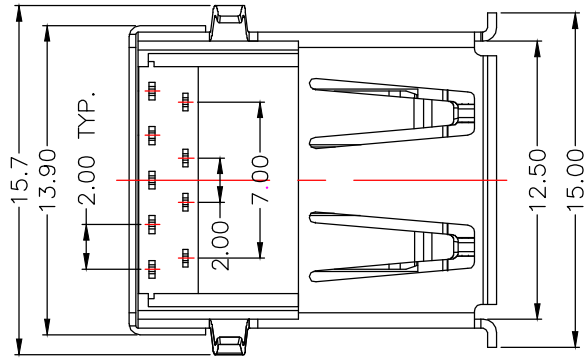


**MATERIALS**

HOUSING: THERMOPLASTIC (UL 94V-0), BLUE (PANTONE 300C)  
 SHELL: SPCC, NICKEL PLATING  
 TERMINAL: COPPER ALLOY, GOLD PLATED ON CONTACT AREA  
 TIN PLATING ON SOLDER TAIL

**SPECIFICATION**

CURRENT RATING: 1.5 AMP MAX  
 DIELECTRIC WITHSTANDING: 500V AC FOR ONE MINUTE  
 CONTACT RESISTANCE: 30m OHMS MAX  
 INSULATION RESISTANCE: 1000M OHMS MIN AT DC 500V  
 OPERATION TEMPERATURE: -30°C~+85°C



P.C.B LAYOUT  
 TOP VIEW ±0.05

**PART NUMBER**

LUB-22EC 09 1 T 1 1 1 L

SERIES —  
 NO. OF POS. —  
 CONTACT PLATED OPTION —  
 1: GOLD FLASH  
 2: 5u" GOLD  
 3: 10u" GOLD  
 4: 15u" GOLD  
 6: 30u" GOLD

TRAY PACKAGE  
 TIN PLATING ON SOLDER TAIL

		公認/UNLESS OTHERWISE SPECIFIED TOLERANCES ARE		單位/Unit mm	品名/Title : USB 3.0 A TYPE, PCB MOUNT, R/A, METAL SHIELD, FEMALE	<b>鍊亨電子有限公司</b> LAI HENG TECHNOLOGY LTD. TEL:(02) 8228-6487 FAX:(02) 8228-6486
				比例/Scale Free	料號/Part No : LUB-22EC09XT111L	
A0	NEW DRAWING	2019.02.18	.X ±0.30 .XX ±0.20 .XXX ±0.10 ANG. ±3°	Size A4	圖號/Drawing No : 22EC-09XT-111L(22EC-002)	核加/APPD. 7/4 審核/CHKD. Joe 製圖/DR. Mandy 張數/Sheet 1 of 1
REV	概述/REVISION	日期/DATE				REV. A0