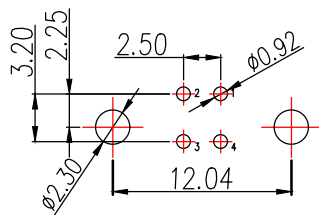
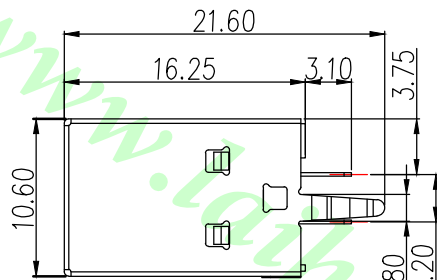
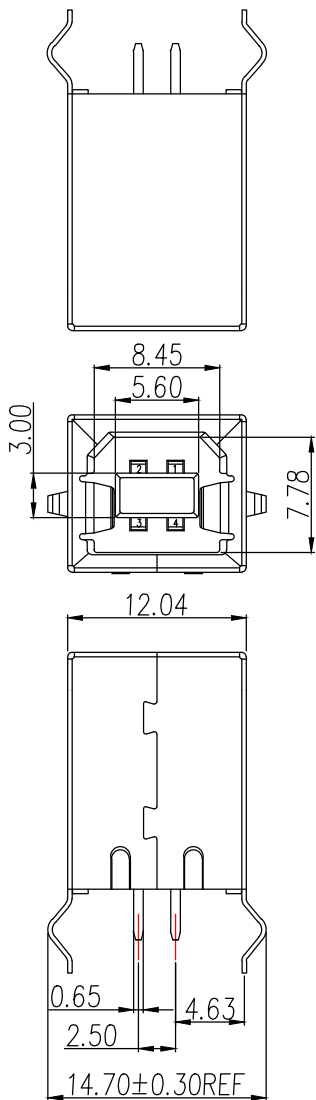


ROHS



RECOMMENDED PCB LAYOUT(TOP VIEW)  
GENERAL TOLERANCES: ±0.05

MATERIALS

HOUSING: HI-TEMP PLASTIC (UL 94V-0), COLOR: WHITE/BLACK/BLUE  
SHELL: COPPER ALLOY OR SPCC, NICKEL PLATING  
TERMINAL: COPPER ALLOY, GOLD PLATED ON CONTACT AREA,  
TIN PLATING ON SOLDER TAIL

SPECIFICATION

CURRENT RATING: 1.5 AMP MAX  
DIELECTRIC WITHSTANDING: 500V AC FOR ONE MINUTE  
CONTACT RESISTANCE: 30m OHMS MAX  
INSULATION RESISTANCE: 1000M OHMS MIN AT DC 100V  
OPERATION TEMPERATURE: -25°C ~ +85°C

PART NUMBER

LUB-22BA 04 1 T 1 1 7 L 1 \*

SERIES: LUB-22BA  
NO. OF POS.: 04  
CONTACT PLATED OPTION: 1 T  
COLOR: 1:BLACK, 2:WHITE, 3:BLUE  
SHELL MATERIALS: 1:COPPER ALLOY, 2:SPCC  
TRAY PACKAGE  
TIN PLATING ON SOLDER TAIL

		公認/UNLESS OTHERWISE SPECIFIED TOLERANCES ARE		單位/Unit	品名/Title	LAI HENG TECHNOLOGY LTD.	
				mm	USB B TYPE, PCB MOUNT, DIP, METAL SHIELD, FEMALE, VERTICAL (L=16.25)	TEL: (02) 8228-6487 FAX: (02) 8228-6486	
				比例/Scale	料號/Part No:	1 of 1	
A0	NEW DRAWING	2019.10.29	.X ±0.30	Free	LUB-22BA041T117L1 X	REV. A0	
REV	概述/REVISION	日期/DATE	.XX ±0.20	Size	圖號/Drawing No:	A0	
			.XXX ±0.10	A4	22AB-041T-117LXX(22BA-008)		
			ANG. ±3°				