

Specification:

Contact Resistance: 30m Ohm Max.

Insulation Resistance: 1000M Ohm Min. At 500VDC.

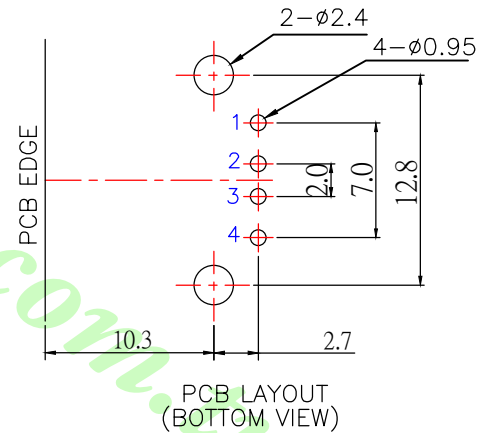
Rated Voltage And Current: 1.5A At 250VAC Minimum.

Dielectric Withstanding Voltage: 750V AC (rms) for 1 Minute(Rev. 1.1)


Durability (Life Test): 1500 Cycles

Insertion Force: 35 Newton Maximum.

Extraction Force: 10 Newton Minimum.



NO.	NAME	MATERIAL	FINISH	Q'TY	REMARK
1	HOUSING	PBT G.F.	BLACK	1	
2	TERMINAL	PHOS. BRONZE T:0.25	GOLD/TIN PLATED	4	Gold:1~3u"; Ni:40~60u"; TIN:120u" (100% pure Tin of lead free plating)
3	SHELL	BRASS T:0.3	NICKEL PLATED	1	Ni:80~120u"

		公認/UNLESS OTHERWISE SPECIFIED TOLERANCES ARE		單位/Unit	品名/Title :		 鍊亨電子有限公司 LAI HENG TECHNOLOGY LTD. TEL:(02) 8228-6487 FAX:(02) 8228-6486
		X. ±0.38 .X ±0.25 .XX ±0.13 .XXX ±0.05		mm	USB A TYPE REVERSE 4 PIN DIP		
A0	NEW DRAWING	2019.02.18		Free	料號/Part No :		核加/APPD.
REV	概述/REVISION	日期/DATE		Size A4	圖號/Drawing No :		審核/CHKD.
				LUB-KS001RDANBL		製圖/DR. Mandy	
						張數/Sheet 1 of 1	
						REV. A0	