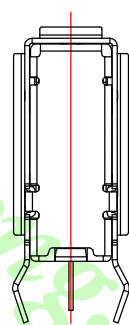
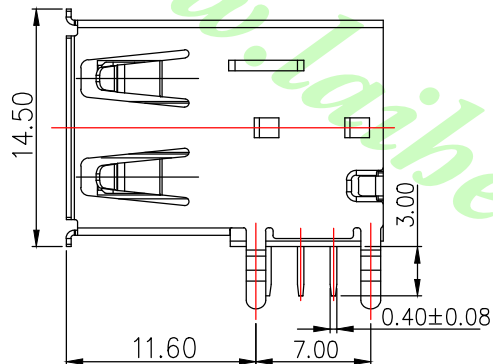
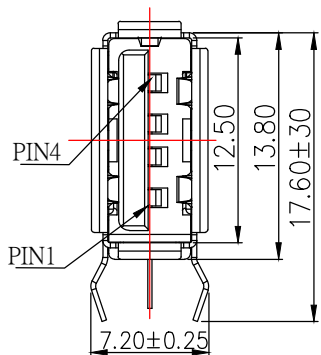


### MATERIALS

HOUSING: THERMOPLASTICS LCP/ PBT (UL 94V-0)  
 SHELL: COPPER ALLOY, NICKEL PLATING / SPCC  
 TERMINAL: COPPER ALLOY, GOLD PLATED ON CONTACT AREA  
 TIN PLATING ON SOLDER TAIL

### SPECIFICATION

CURRENT RATING: 1 AMP MAX  
 DIELECTRIC WITHSTANDING: 500V AC FOR ONE MINUTE  
 CONTACT RESISTANCE: 30m OHMS MAX  
 INSULATION RESISTANCE: 100M OHMS MIN AT DC 500V  
 OPERATION TEMPERATURE: -40°C~+105°C

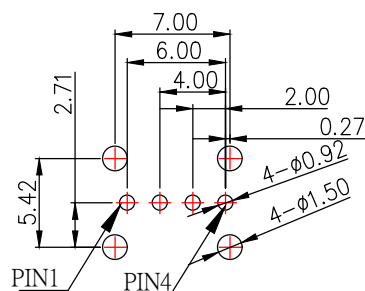
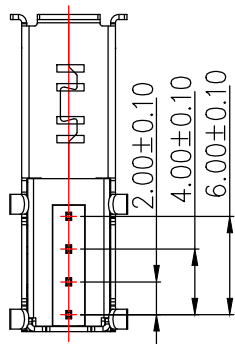


### PART NUMBER


LUB-22AU 04 1 T 1 1 7 LW 1 2

SERIES \_\_\_\_\_  
 NO. OF POS. \_\_\_\_\_  
 CONTACT PLATED OPTION  
 1: GOLD FLASH  
 6: 30u" GOLD  
 TIN PLATING ON SOLDER TAIL \_\_\_\_\_  
 TRAY PACKAGE \_\_\_\_\_

HOUSING MATERIAL  
 1:LCP  
 2:PBT (Standard)  
 SHELL  
 1:COPPER ALLOY  
 2:STELL  
 HOUSING COLOR OPTION  
 B: BLACK  
 W: WHITE  
 E: BEIGE  
 L: BLUE



RECOMMENDED P.C.B LAYOUT

		公認/UNLESS OTHERWISE SPECIFIED TOLERANCES ARE		單位/Unit	品名/Title:	 <b>鍊亨電子有限公司</b> LAI HENG TECHNOLOGY LTD. TEL:(02) 8228-6487 FAX:(02) 8228-6486	
		.X ±0.30		mm	USB A TYPE, PCB MOUNT, UPRIGHT, METAL SHIELD, FEMALE		
		.XX ±0.20		比例/Scale	料號/Part No:		
A0	NEW DRAWING	2019.02.18	.XXX ±0.10	Free	LUB-22AU041T117L_12		圖號/Drawing No:
REV	概述/REVISION	日期/DATE	ANG. ±3°	Size A4	22AU-041T-117LX12(22AU-008)		22AU-041T-117LX12(22AU-008)
						核加/APPD. 7/0	審核/CHKD. Joe
						製圖/DR. Mandy	張數/Sheet 1 of 1
						REV. A0	