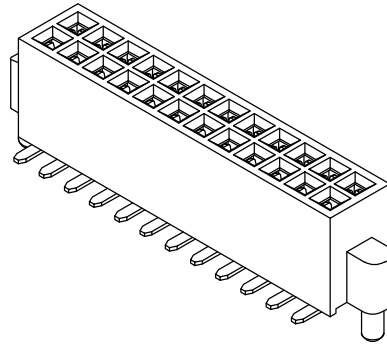
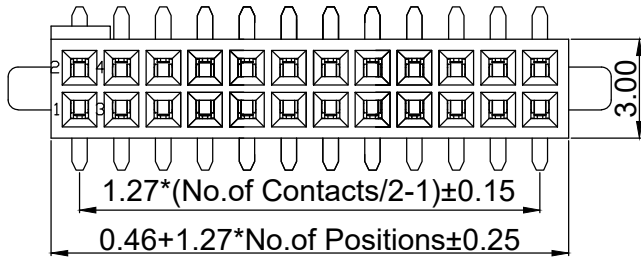
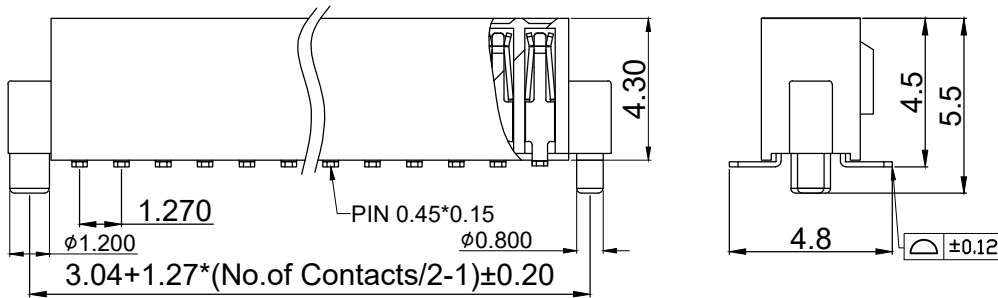


RoHS



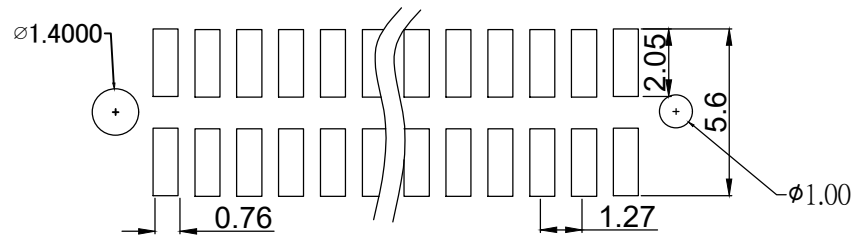
Specifications

Current Rating	: 1 Amp
Insulator Resistance	: 1000 Megohms Min.
Contact Resistance	: 20 m ohms max.
Dielectric Withstanding	: AC 500 V
Operating Temperature	: -40°C ~ +105°C
Soldering Temperature	: 260°C for 3~5sec Max.
Contact Material	: Phosphor Bronze.
Standard	: Gold Flash all over
Insulator Material	: Polyester, UL 94V-0
Standard	: LCP (BLACK)




ORDER INFORMATION

LPCB 127	B	T	G	C - 4.8	- 2xXX	- BSP
Pitch: 1.27mm				SMT: 4.8mm		other B: Bump/凸點防呆 SP: Size positioning columns /側面大小柱
Insulation					No. Of Contact	
Height: 4.3mm					Dual Row: 2x02~2x40	
Width: 3.0mm				Material		
				C: LCP		
				N: NYLON 6T		
				TYPE T: SMT		
				Contactn Plating		
				T : Tin		
				G : Gold Flash		
				G2 : Gold 2u"		



P. C. B Layout

		公差/UNTLESS OTHERWISE SPECIFIED TOLERANCES ARE		單位/Unit mm	品名(Title):	 鍊亨電子有限公司 LAI HENG TECHNOLOGY LTD. TEL:(02) 8228-6487 FAX:(02) 8228-6486	
		SPECIFIED TOLERANCES ARE		比例/Scale Free	1.27*1.27mm Female Header H:4.3 W:3.0 SMT Dual Row ,With Bump ,Size Positioning Columns(大小定位柱)		
A0	NEW DRAWING	2019.09.02	X. ±0.5 .X ±0.3 .XX ±0.2 .XXX ±0.1	X° ±3° .X° ±2° .XX° ±1° .XXX° ±0.5°	料號/Part No :	圖號/Drawing No :	核對/APPD. 740
REV	概述/REVISION	日期/DATE		Size A4	LPCB127BTG C-4.8-2*XX-BSP	MF127FS7XX-2XX-ST	審核/CHKD. Joe
							製圖/DR. Mandy
							報數/Sheet 1 of 1
							REV. A0