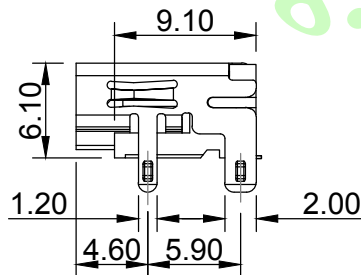
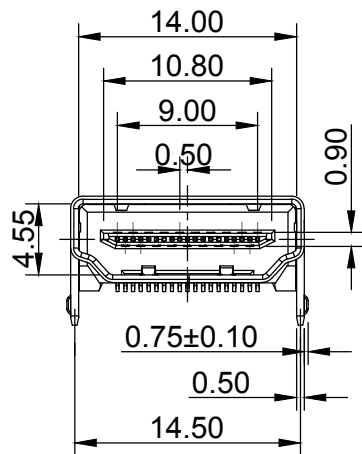


RECOMMENDED PCB LAYOUT (T:1.60mm)



NOTES:

1.ELECTRONIC:

CONTACT RESISTANCE: 20mohm MAX
 INSULATION RESISTANCE: 1000 Mohm MIN
 WITHSTAND VOLTAGE:AC 500V,1min.

2.MECHANICAL:


DURABILITY: 10000 CYCLE.

3.ENVIRONMENT CHARACTERISTICS:

OPERING TEMPERATURE:-55°C TO +105°C

4.MATERIAL LIST:

No.	PART NAME	QTY	MATERIAL	REMARK
3	SHELL	1	C2680-EH T=0.50	NI PLATED
2	19PIN	19	COPPER ALLOY T=0.20	AU/TIN PLATED
1	HOUSING	1	THERMOPLASTIC	(UL 94V-0) BLACK

		公認/UNLESS OTHERWISE SPECIFIED TOLERANCES ARE		單位/Unit mm	品名/Title :	 鍊亨電子有限公司 LAI HENG TECHNOLOGY LTD. TEL:(02) 8228-6487 FAX:(02) 8228-6486		
				比例/Scale	HDMI A TYPE 19Pin FEMALE SMT SHELL DIP (L=9.10)			
A0	NEW DRAWING	2019.02.20	.X ±0.38 .XX ±0.25 .XXX ±0.10 ANG. ±1°	Free Size A4	料號/Part No :	圖號/Drawing No :	核加/APPD. 740	
REV	概述/REVISION	日期/DATE			LHDMI-JCW0028-15U-1	JCW0028	製圖/DR. Mandy	
							張數/Sheet 1 of 1	REV. A0