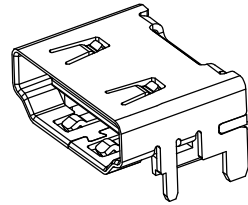
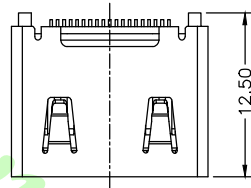


19	HotPlug Detect
18	+5v Power
17	DDC/CEC/Ground
16	SDA
15	SCL
14	Utility
13	CEC
12	TMDS Clock-
11	TMDS Clock Shield
10	TMDS Clock+
09	TMDS Data0-
08	TMDS Data0 Shield
07	TMDS Data0+
06	TMDS Data1-
05	TMDS Data1 Shield
04	TMDS Data1+
03	TMDS Data2-
02	TMDS Data2 Shield
01	TMDS Data2+
Pin No.	Description
pin Assignment	

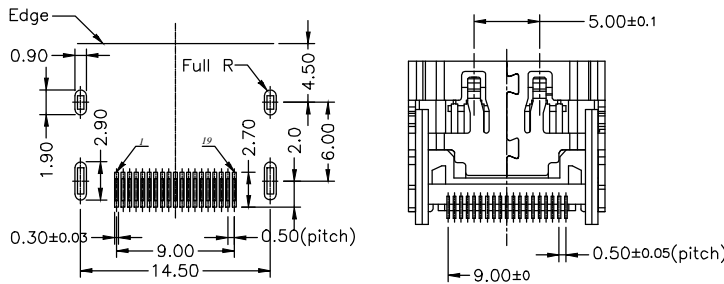
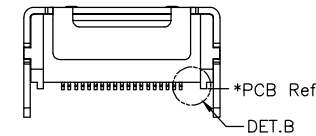
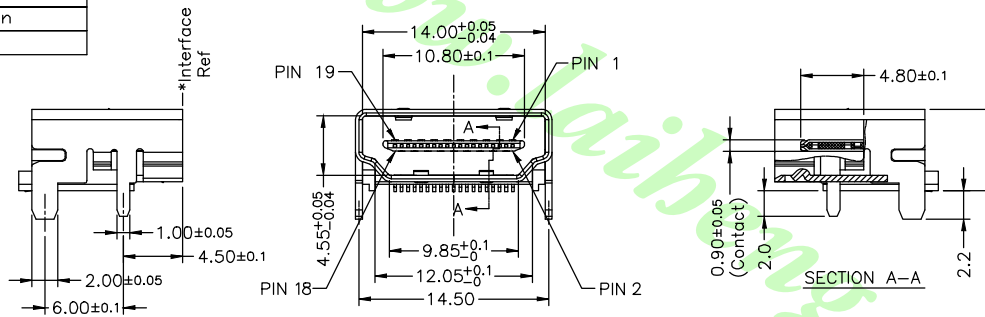


MATERIALS

HOUSING: HI-TEMP. PLASTIC (UL 94V-0)
 SHELL: COPPER ALLOY OR SPCC, NICKEL PLATING
 TERMINAL: COPPER ALLOY, GOLD PLATED ON CONTACT AREA TIN PLATING ON SOLDER TAIL

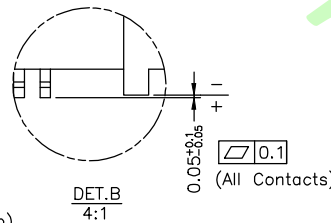
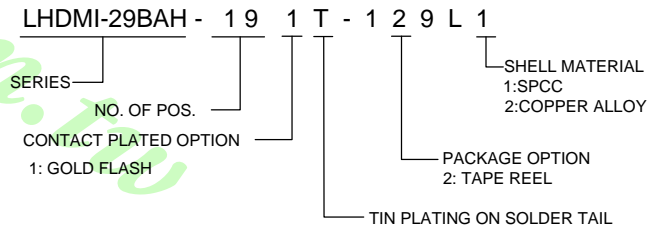
SPECIFICATION

CURRENT RATING: 0.5 AMP MAX
 DIELECTRIC WITHSTANDING: 500V AC FOR ONE MINUTE
 CONTACT RESISTANCE: 30m OHMS MAX
 INSULATION RESISTANCE: 100M OHMS MIN AT DC 500V
 OPERATION TEMPERATURE: -20°C~+85°C

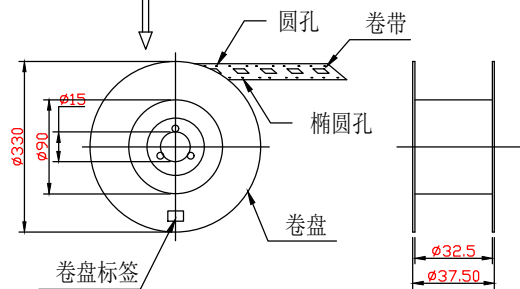
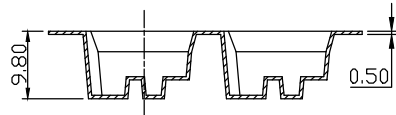
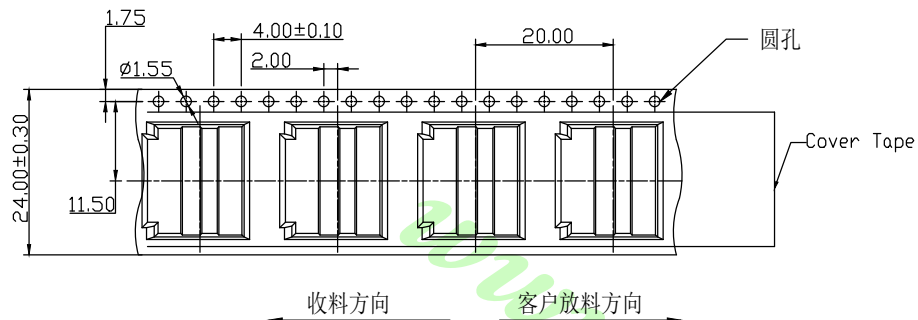


RECOMMENDED PCB LAYOUT (TOP VIEW)
 GENERAL TOLERANCES: ±0.05 (t=1.6)

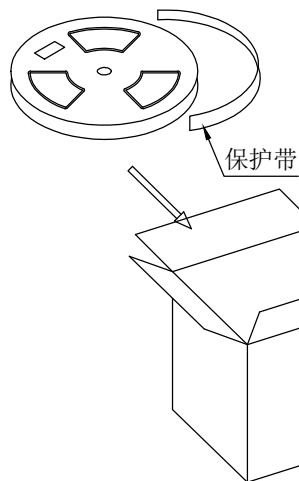
PART NUMBER



公認/UNLESS OTHERWISE SPECIFIED TOLERANCES ARE			單位/Unit mm	品名/Title :	鍊亨電子有限公司 LAI HENG TECHNOLOGY LTD. TEL:(02) 8228-6487 FAX:(02) 8228-6486
.X ±0.30			比例/Scale	HDMI A TYPE, SMT+DIP METAL SHIELD, FEMALE (Reel)	
.XX ±0.20			Free	料號/Part No :	核加/APPD. 7/0 審核/CHKD. Joe 製圖/DR. Mandy 張數/Sheet 1 of 2
.XXX ±0.10			Size A4	LHDMI-29BAH-191T-129L1	
ANG. ±3°				圖號/Drawing No :	REV. A0
A0	NEW DRAWING	2018.11.27		29BAH-191T-129L1(29BA-010)	
REV	概述/REVISION	日期/DATE			



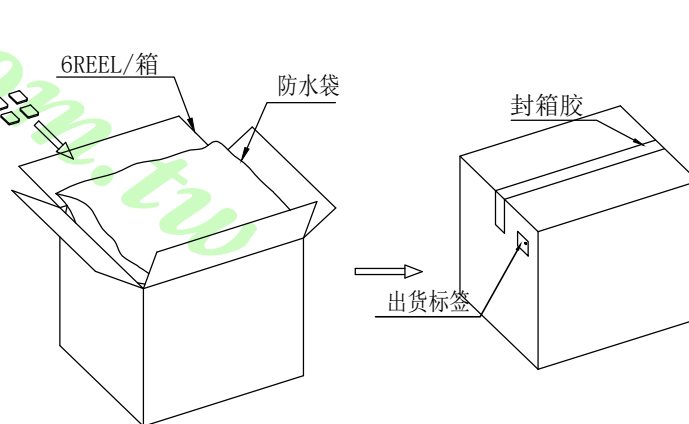
Q'TY:350pcs



5	防水袋	1	PCS
4	出货标签	1	PCS
3	外纸箱	1	PCS
2	干燥剂	4	PCS
1	卷盘	6	SET
序号	包装名称	数量	单位

NOTES:

1. 包装数量: 350pcs/卷/6卷/箱/2100PCS/箱;
2. 外箱规格: 350*350*380mm;
卷盘规格: Ø330*37.5mm;



		公差/UNLESS OTHERWISE SPECIFIED TOLERANCES ARE		單位/Unit	品名/Title :			鍊亨電子有限公司 LAI HENG TECHNOLOGY LTD. TEL:(02) 8228-6487 FAX:(02) 8228-6486
				mm	HDMI A TYPE, SMT+DIP METAL SHIELD, FEMALE (Reel)			
A0	NEW DRAWING	2018.11.27	.X ±0.30	比例/Scale	料號/Part No :		核加/APPD.	REV. A0
REV	概述/REVISION	日期/DATE	.XX ±0.20	Free	LHDMI-29BAH-191T-129L1		審核/CHKD.	
			.XXX ±0.10	Size	圖號/Drawing No :		製圖/DR.	張數/Sheet
			ANG. ±3°	A4	29BAH-191T-129L1(29BA-010)		Mandy	2 of 2