

**Features:**

- Available in 2 thru 24 circuits
- Material: UL 94V-0 nylon 66
- Accepts LT-MF300\_M\_ terminal
- Mates with LH-MF300M-2xXX housing
- Standard color: Black

**Specifications:**

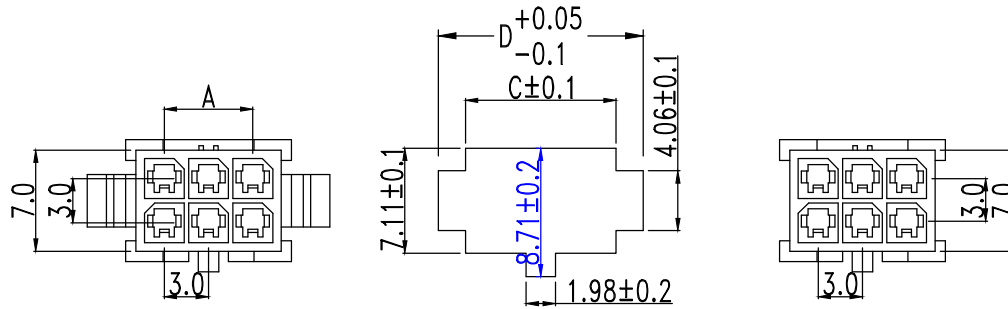
- Current rating:

Wire size	# 20	# 22	# 24	# 26	# 28	# 30
Ampere	5 A	5 A	4 A	3 A	2 A	1 A

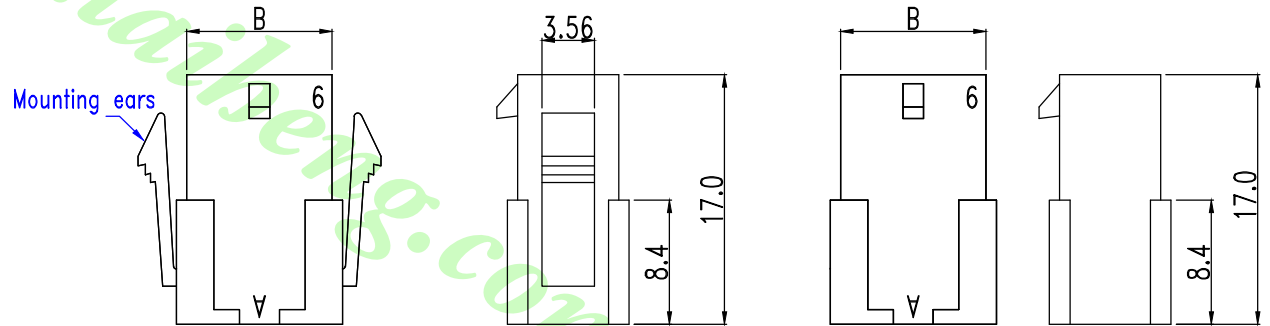
- Voltage rating: 250V AC(RMS) or DC
- Contact resistance: 10mΩ max.
- Dielectric strength: 1500V AC/minute
- Temperature rise: 30°C max.  
(carry rated current load)

**Dimensional Information**

Circuitis	Dim. A	Dim. B	Dim. C	Dim. D
2		4.0	4.21	7.90
4	3.0	7.0	7.21	10.90
6	6.0	10.0	10.21	13.89
8	9.0	13.0	13.21	16.89
10	12.0	16.0	16.21	19.89
12	15.0	19.0	19.21	22.89
14	18.0	22.0	22.20	25.88
16	21.0	25.0	25.20	28.88
18	24.0	28.0	28.20	31.88
20	27.0	31.0	31.22	34.87
22	30.0	34.0	34.22	37.87
24	33.0	37.0	37.22	40.87



PANEL OPENING



With mounting Ears

Without mounting Ears

**Ordering Information:**

Part No.	Feature
LH-MF300F-2xXX	Without mounting Ears
LH-MF300F-2xXX-E	With mounting Ears

※ XX=01~12

		公差/UNLESS OTHERWISE SPECIFIED TOLERANCES ARE		單位/Unit mm	品名(Title):		銖亨電子有限公司 LAI HENG TECHNOLOGY LTD. TEL:(02) 8228-6487 FAX:(02) 8228-6486
		X.XXX ±0.08 X.XX ±0.25 X.X ±0.4		比例/Scale Free	.118"(3.0mm) Dual Row Plug Housing (Female)		
A0	NEW DRAWING	2018.08.20		料號/Part No:	圖號/Drawing No:	核對/APPD. Joe 審核/CHKD. Joe 製圖/DR. Mandy 張數/Sheet 1 of 1	
REV	概述/REVISION	日期/DATE		LH-MF300F-2xXX-		30001HF(E)-N	