

Features:

- 2~12 circuits available
- Material: UL 94V-0 nylon 66
- Accepts LT-MF300_M_ terminal
- Mates with LH-MF300M-XX housing
- Standard color: Black

Specifications:

- Current rating:

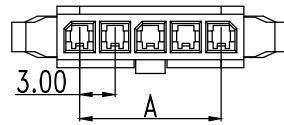
Wire size	# 20	# 22	# 24	# 26	# 28	# 30
Ampere	5 A	5 A	4 A	3 A	2 A	1 A

- Voltage rating: 250V AC(RMS) or DC
- Contact resistance: 10mΩ max.
- Dielectric strength: 1500V AC/minute
- Temperature rise: 30°C max.
(carry rated current load)

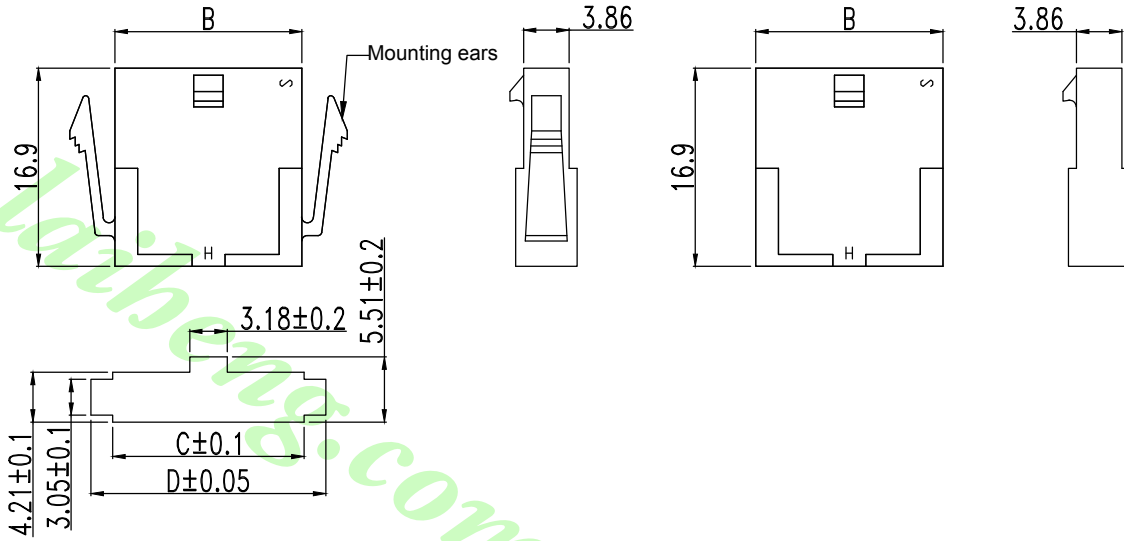
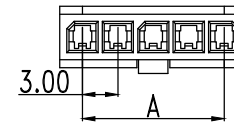
Dimensional Information

Circuitis	Dim. A	Dim. B	Dim. C	Dim. D
2	3.0±0.08	6.85	7.21	10.9
3	6.0±0.10	9.85	10.21	13.9
4	9.0±0.10	12.85	13.21	16.9
5	12.0±0.10	15.85	16.21	19.9
6	15.0±0.15	18.85	19.21	22.9
7	18.0±0.15	21.85	22.21	25.9
8	21.0±0.15	24.85	25.21	28.9
9	24.0±0.15	27.85	28.21	31.9
10	27.0±0.20	30.85	31.21	34.9
11	30.0±0.20	33.85	34.21	37.9
12	33.0±0.20	36.85	37.21	40.9

With mounting Ears



Without mounting Ears



PANEL OPENING [Recommended panel thickness: .062"(1.57mm)]

Ordering Information:

Part No.	Feature
LH-MF300F-XX	Without mounting Ears
LH-MF300F-XX-E	With mounting Ears

※ XX=02~12

A0		NEW DRAWING	2018.08.20	公意/UNLESS OTHERWISE SPECIFIED TOLERANCES ARE: X.XXX ±0.08 X.XX ±0.25 X.X ±0.4	單位/Unit mm 比例/Scale Free Size A4	品名(Title): .118"(3.0mm) Single Row Plug Housing (Female)	料號/Part No: LH-MF300F-XX-	圖號/Drawing No: 30002HF(E)-N	核對/APPD. 740	審核/CHKD. Joe	製圖/DR. Mandy	張數/Sheet 1 of 1	REV. A0
REV		概述/REVISION	日期/DATE										

鍊亨電子有限公司
LAI HENG TECHNOLOGY LTD.
TEL: (02) 8228-6487 FAX: (02) 8228-6486